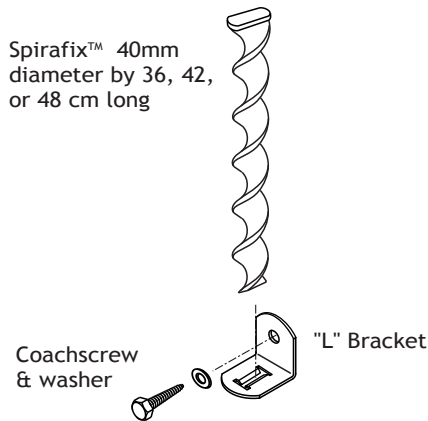
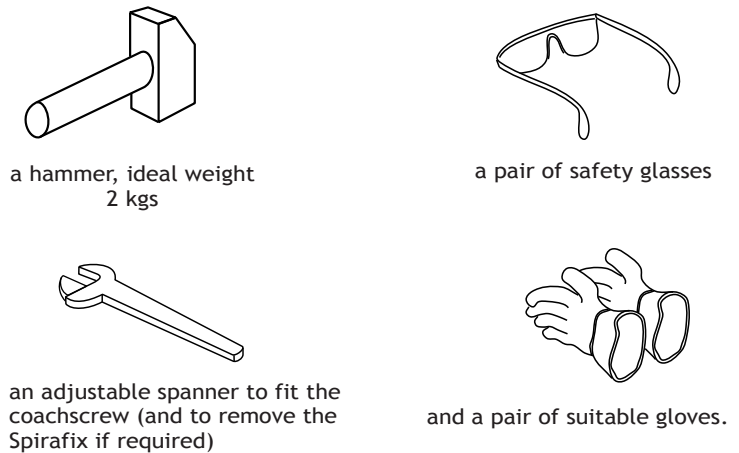


## “C” Type Spirafix™ Anchor Installation Instructions

In this pack you should have received sets of each of the items shown below.



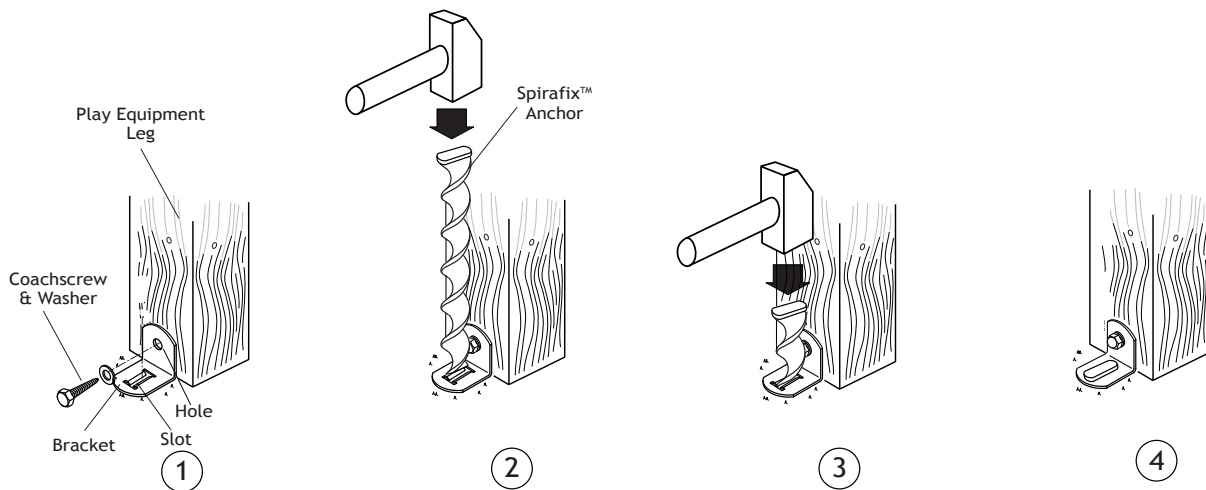
You will need:



Please read these instructions carefully. Spirafix Limited cannot be held responsible for any injury or damage, consequential or otherwise, resulting from improper installation of the items contained in this kit. If in any doubt, please contact Spirafix Limited directly on 01986 888085.

Please ensure that the location where these are to be used is free from any services, the damage of which could result in injury or claims made by a third party.

Spirafix™ anchors are not suitable for sandy soils that have low cohesive properties.



It's recommended that you use safety glasses and a pair of suitable gloves for protection during the installation.

Make sure that the vertical leg of the bracket is up against the leg being secured and that the lower edge is level with the bottom of the leg (see Fig. 1). Take the hammer and drive the coachscrew and washer through the hole in the bracket and into the timber leg until it holds by itself. Then screw it in all the way using the spanner. Fully tighten the coachscrew. Repeat this process for all the legs being anchored to the ground.

Take a Spirafix™ anchor and place the lower edge through the slot in the bracket (see Fig. 2). Using the hammer drive the anchor down into the ground through the slot. It will rotate as it travels down. Stop when the underside of the head is touching the bracket. The final assembly should look like the one shown in Fig. 4.

To remove the Spirafix™ anchors simply unscrew them back out of the ground using an adjustable spanner or vice grips. For storage wash off any earth and dry them with a cloth.